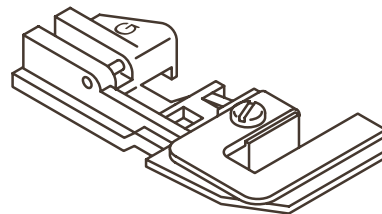


## COMBINED OVERLOCK AND COVER STITCH MACHINE ACCESSORIES

Ready to wear details and decorative accents are easily duplicable with Janome's combined overlock and cover stitch machine accessory range. Create the look you want the way you want it.



### GATHERING FOOT

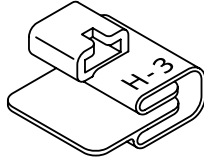


With the gathering foot it's easy to create the gather you want. The bottom fabric is gathered, seamed and overcast to a flat top fabric all in one easy operation.

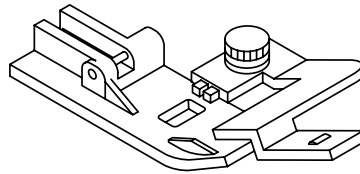
200-807-001

M

## WRAPPED EDGE GUIDE



This guide creates the look of bias tape. In addition, it also attaches pre-made bias tape. Hem edges evenly without measuring, pinning or pressing and duplicate ready to wear details easily.

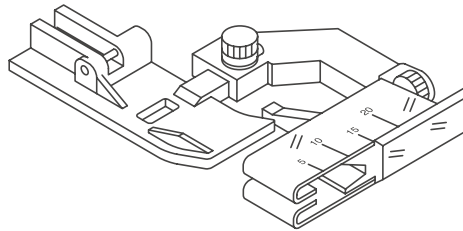


200-801-201	M
-------------	---

### COVER HEM FOOT (M)

200-801-304	M
-------------	---

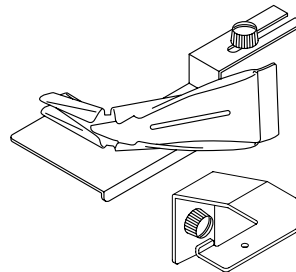
## BIAS TAPE FOOT



This adjustable foot allows you to attach 10 mm to 40 mm wide bias tape. Creating the look you want has never been easier.

200-810-007	M
-------------	---

## TAPE BINDER



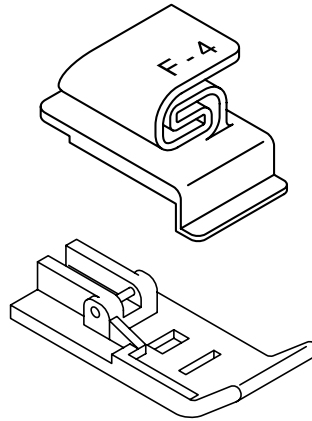
The tape binder clips on to the front of the machine and guides and folds 40 mm bias tape perfectly, doing away the need to pre-iron. Ideal for sewing straight fabrics to curved, finish difficult t-shirt necklines, etc with ease.

200-813-000	M
-------------	---

### ATTACHMENT HOLDER

200-813-103	M
-------------	---

## FELLING GUIDE



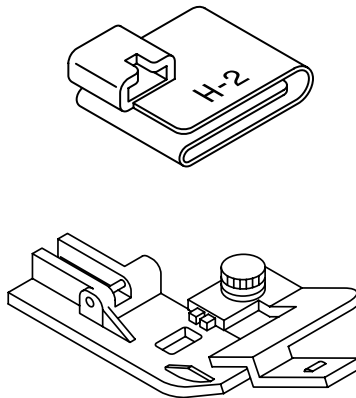
Strong and durable flatfelled seams on jeans and t-shirts are a breeze to create with the felling guide. Attached to the machine, it guides and folds the fabric.

200-803-203	M
-------------	---

### CHAIN STITCH FOOT (F)

200-803-306	M
-------------	---

## HEM GUIDE



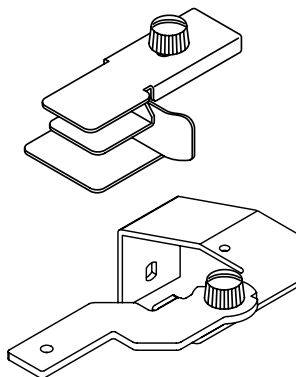
Hem edges evenly without measuring, pinning or pressing. Simply insert the fabric and the guide automatically folds and creates a 2.5 cm (1") hem. Use with the cover hem foot.

200-801-108	M
-------------	---

### COVER HEM FOOT (M)

200-801-304	M
-------------	---

## CLOTH GUIDE



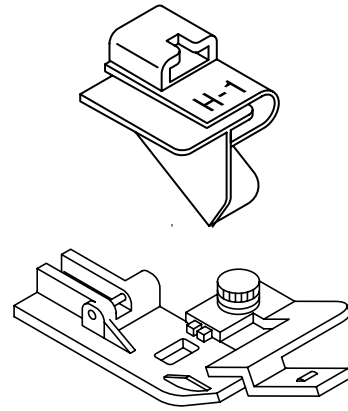
Attached to the machine, it guides curved fabric to straight edged, and is ideal for making table linens and bags with curves.

200-812-009	M
-------------	---

### ATTACHMENT HOLDER SET

200-812-102	M
-------------	---

## LACE ATTACHMENT GUIDE



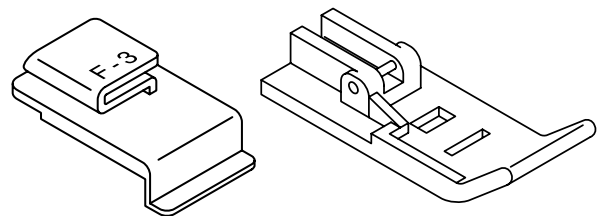
Efficient and clever, this guide folds perfect 6 mm (1/4") edges. At the same moment it's hemming, it attaches lace or trim placed underneath. Use with the cover hem foot.

200-801-005	M
-------------	---

COVER HEM FOOT (M)

200-801-304	M
-------------	---

## LACING GUIDE



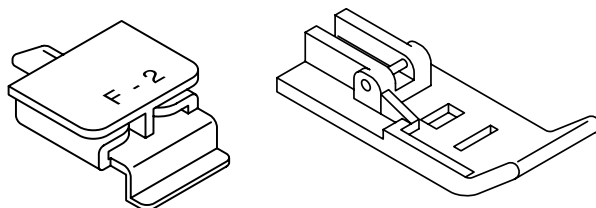
Throw away those pins. Accurate alignment of lace or trim to the fabric edge is assured with this guide. Sew lace or trim evenly on top of fabric with a cover hem stitch.

200-803-100	M
-------------	---

CHAIN STITCH FOOT (F)

200-803-306	M
-------------	---

## FAGOTING GUIDE



Fagoting is a lovely lacy effect that is created underneath and between two fabrics. The fagoting guide keeps the fabrics separated at an equal distance. Use different colored threads to achieve unique decorative effects.

200-803-007	M
-------------	---

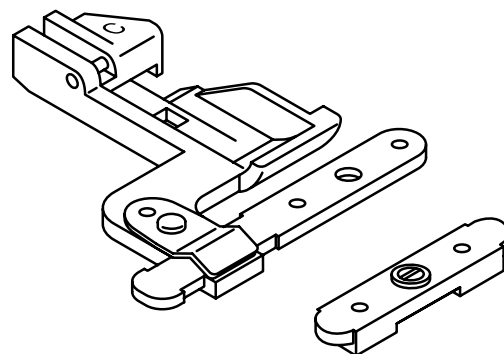
CHAIN STITCH FOOT (F)

200-803-306	M
-------------	---

## ELASTIC GATHERING FOOT



The elastic gathering foot not only takes the hard work out of attaching elastic, it is also great for making your own custom soutache. The three attachments allow you to sew 7.5 mm, 10 mm, or 13 mm flat elastic directly onto fabric. Adjust the screw to control the amount of tension or pressure placed on the elastic being gathered.



200-805-009	M
-------------	---

ELASTIC GATHERER 7.5 mm

200-805-102	M
-------------	---

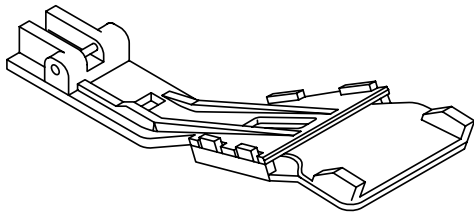
ELASTIC GATHERER 10 mm

200-805-205	M
-------------	---

ELASTIC GATHERER 13 mm

200-805-308	M
-------------	---

## BELT LOOP FOOT



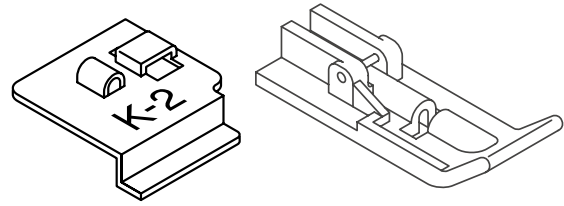
Easily duplicate the belt loops found in the garment industry using a wide or triple cover hem stitch. This foot automatically folds under bias strip edges for belt loops, decorative accents, button loops, narrow straps, etc. The possibilities are limited only by your imagination.

200-808-002

M



## CORDING GUIDE



Create corded pintucks with ease. The cording is threaded through the guide and then stitched into the pintuck.

200-802-109	M
-------------	---

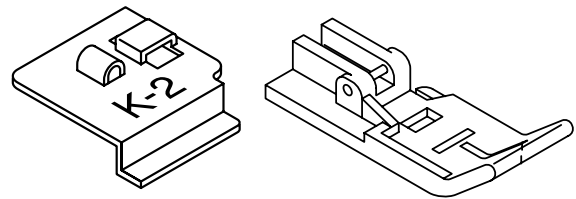
PINTUCKING FOOT (K)

200-802-202	M
-------------	---



## CREATE DECORATIVE TRIM

Couch narrow ribbon, create your own decorative trims, or add bands of soutache to your next garment using the overlock 3 stitch and the cording guide.



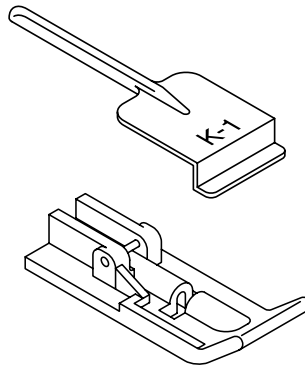
CORDING GUIDE (K-2)

200-802-109	M
-------------	---

CORDING FOOT (Q)

200-802-305	M
-------------	---

## PINTUCKING GUIDE



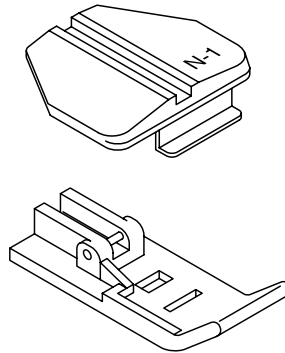
The pintuck guide lifts the fabric into a tuck and easily creates a corded look without the need for cording.

200-802-006	M
-------------	---

### PINTUCKING FOOT (K)

200-802-202	M
-------------	---

## TOPSTITCH GUIDE



The topstitch covered seam guide is ideal for securing easily frayed fabrics and tidying hems away. Use different colored thread for decorative effects.

200-804-008	M
-------------	---

### TOPSTITCH FOOT (N)

200-804-101	M
-------------	---



## LARGE PINTUCKS

If large pintucks are desired, simply insert the appropriate sized cording into this guide and let your artistic flair shine.

### TOPSTITCH GUIDE (N-1)

200-804-008	M
-------------	---

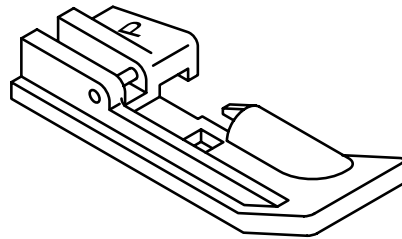
### TOPSTITCH FOOT (N)

200-804-101	M
-------------	---





## BEADING FOOT

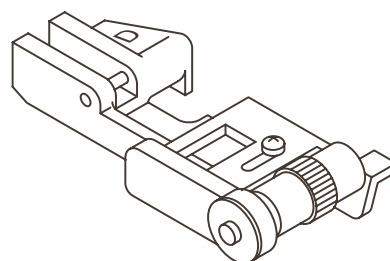


Beaded trims add that special touch to any project. Deep grooves on the bottom of the pearl foot guide strands of pearls or beads perfectly into place and are secured with a flatlock stitch.

200-809-003

M

## BLIND STITCH FOOT

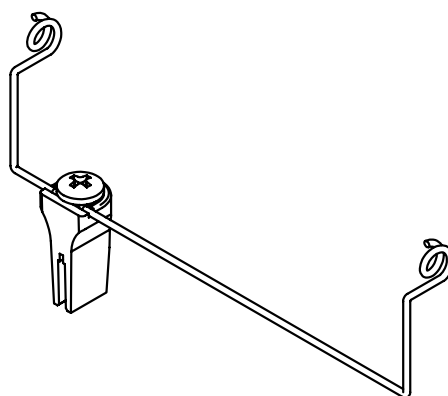


The adjustable guide on the blind stitch foot ensures that any weight of fabric is trimmed, overlocked and invisibly hemmed in one quick step. Change the stitch and it becomes a wonderful guide for decorative pintucks, lacy fagoting or flatlocking as seen in ready to wear.

200-806-000 M

---

## AUXILIARY THREAD GUIDE



Prefer using industrial cone thread? Place unusually large thread cones behind the machine on the table and attach the guide to the antenna for smooth feeding of thread.

200-811-008 M